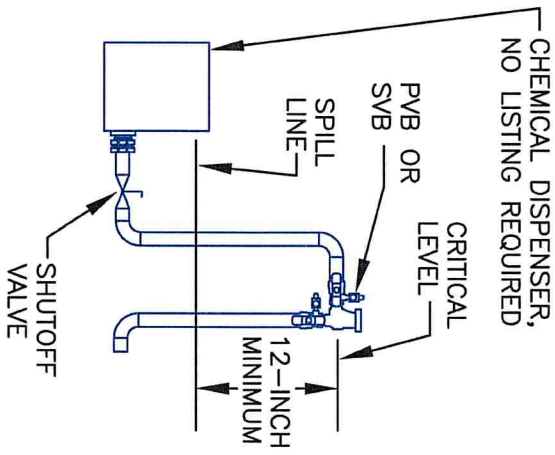


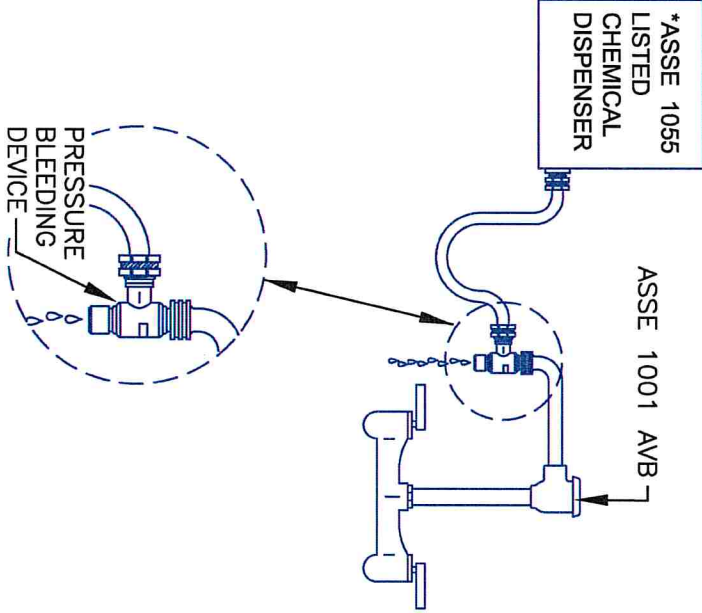
MINNESOTA RULES, CHAPTER 4714, SECTIONS 603.5.17 AND 301.2

1. DIRECT CONNECTION TO POTABLE WATER SYSTEM WITH A SVB OR PVB

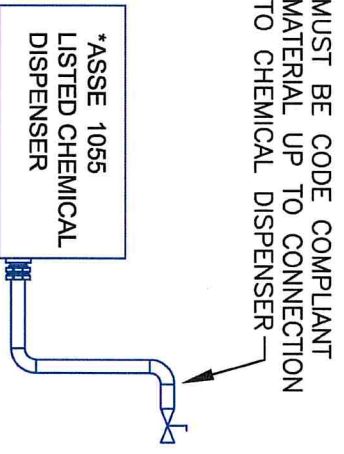


- MUST NOT BE SUBJECTED TO BACK PRESSURE
- IF SUBJECTED TO BACK PRESSURE, AN RPZ IS REQUIRED

2. CONNECTION TO MOP SINK FAUCET WITH PRESSURE BLEEDING DEVICE (WHERE PERMITTED BY THE AHJ)



3. DIRECT CONNECTION TO POTABLE WATER SYSTEM WITH ASSE 10055* CHEMICAL DISPENSER (WHERE PERMITTED BY THE AHJ)



* INTEGRAL MEANS OF BACKFLOW PROTECTION LISTED TO ASSE 10055

AHJ = AUTHORITY HAVING JURISDICTION
 AVB = ATMOSPHERIC VACUUM BREAKER
 PVB = PRESSURE VACUUM BREAKER

RPZ = REDUCED-PRESSURE PRINCIPLE
 SVB = SPILL-PROOF VACUUM BREAKER